

# NANO SPLASHER

(ALL TITANIUM)

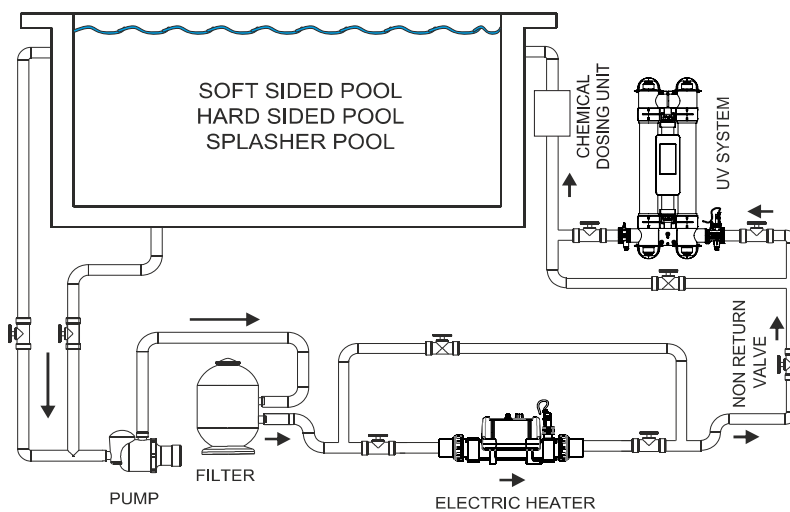
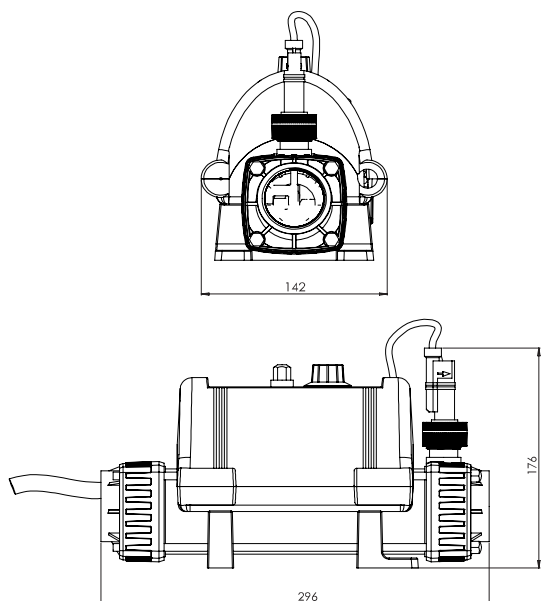
Specifically designed to ensure maximum safety, reliability and efficiency, the Nano Splasher fully titanium "Plug & Play" heater is an ideal solution for soft/hard sided and splasher pools.



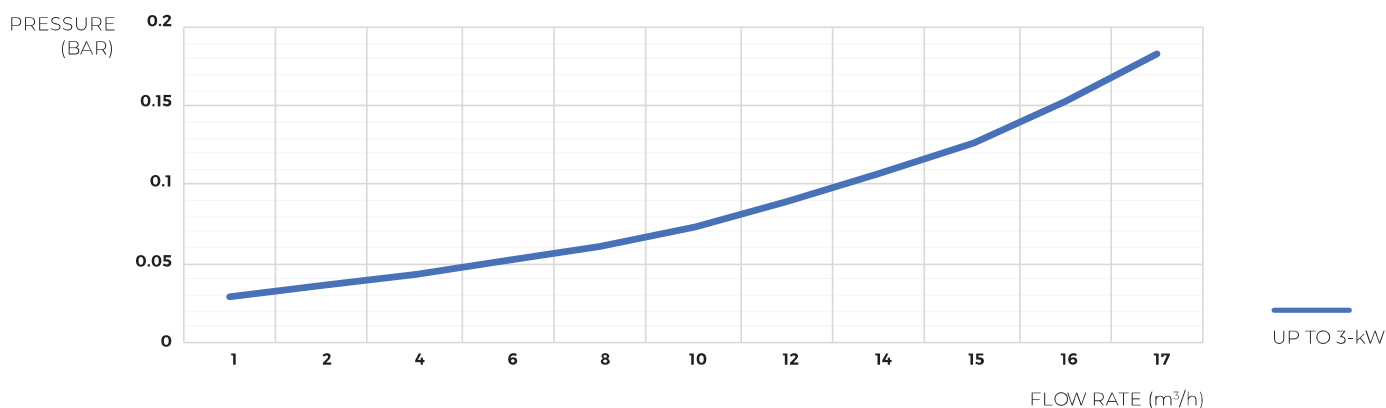
## FEATURES

- Available as 2-kW & 3-kW "Plug & Play"
- Easy installation, fully equipped and pre-wired
- Robust, durable construction
- Ultra-reliable flow switch allows safe operation
- Supplied with temperature thermostat and overheating sensor
- Compact, durable design
- Analogue control with 1.2°C differential
- Titanium flow tube and titanium heating element
- Can be floor or vertically wall mounted
- Vortex, long life, stay clean heating element technology
- 100% efficiency throughout the product life
- Silent operation

## TECHNICAL DRAWINGS



# PRESSURE DROP



## SPECIFICATIONS

|   |  |
|---|--|
| <b>POWER SUPPLY</b>                     | 220-240V single phase  |
| <b>FLOW REQUIREMENTS</b>                | Minimum flow: 1m <sup>3</sup> /h<br>Maximum flow: 17m <sup>3</sup> /h  |
| <b>HEATING ELEMENT</b>                  | Grade 1 titanium   |
| <b>FLOW TUBE</b>                        | Grade 1 titanium   |
| <b>CONTROL THERMOSTAT</b>               | Analogue: 0 > 45°C (1.2°C differential)  |
| <b>SAFETY THERMAL CUT OUT</b>           | 60°C (manual reset)  |
| <b>FLOW SWITCH</b>                      | Gold tipped reed switch with titanium fulcrum pin  |
| <b>RELAY</b>                            | Surface mount DPDT Finder 66.82.8.230.0000   |
| <b>SEALS</b>                            | High temperature special formula EPDM ferrules, TPE end fitting gaskets  |
| <b>WATER CONNECTIONS</b>                | 1.5" BSP female thread supplied with 1½" / 50mm stepped ABS unions for rigid pipe and 1½" / 1¼" stepped hose tails for flexible pipe |
| <b>INTERNATIONAL PROTECTION MARKING</b> | IP44   |
| <b>FREQUENCY</b>                        | 50/60 Hz   |
| <b>WORKING PRESSURE</b>                 | 4 bar maximum  |
| <b>MOUNTING</b>                         | Floor or wall mounting   |

## MODELS

| 220-240V<br>1-PHASE | LOAD | PRODUCT CODES    |                    | NET WEIGHT | GROSS WEIGHT | VOLUME         |
|---------------------|------|------------------|--------------------|------------|--------------|----------------|
| Power Output        | Amp  | UK Plug (Type G) | Euro Plug (Type F) | kg         | kg           | m <sup>3</sup> |
| 2-kW                | 9    | N-AGP-UK-T2*     | N-AGP-EU-T2*       | 18.6       | 22.5         | 0.125          |
| 3-kW                | 13   | N-AGP-UK-T*      | N-AGP-EU-T*        | 18.6       | 22.5         | 0.125          |

\*Only sold in pack of 6pcs